

WARNING HORN / LIGHT (경고혼/경고등)

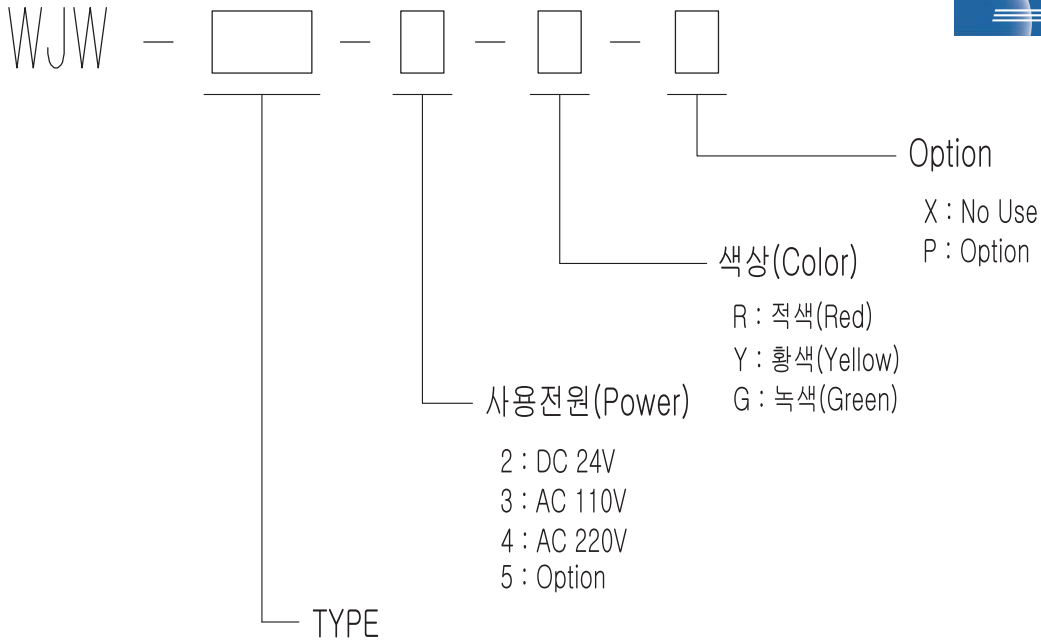


목차 Table of Contents

- 5 내압방폭형 경고혼 (Explosion-proof Warning Horn)
- 6 내압방폭형 경고등 (Explosion-proof Warning Light)
- 7 내압방폭형 경고혼/경고등
(Explosion-proof Warning Horn/Warning Light)
- 8 분진방폭형 경고혼 (Dust Explosion-proof Warning Horn)
- 9 분진방폭형 경고등 (Dust Explosion-proof Warning Light)
- 10 분진방폭형 경고혼/경고등
(Dust Explosion-proof Warning Horn/Warning Light)
- 11 분진방폭형 양방향 경고혼/경고등
(Dust Explosion-proof Bidirectional Warning Horn/Warning Light)
- 15 경고혼 (Warning Horn)
- 16 양방향 경고혼 (two-way Warning Horn)
- 17 경고혼/경고등 (Warning Horn/Warning Light)
- 18 양방향 경고혼/경고등 (Two-way Warning Horn/Warning Light)
- 19 경고등 (Warning Light)
- 20 경고등 (Warning Light)
- 21 경고등 (Warning Light)
- 22 MAGNET TYPE 경고등 (MAGNET TYPE Warning Light)
- 23 경고혼/경고등 (Warning Horn/Warning Light)
- 24 경고혼 (Warning Horn)
- 25 경고등 (Warning Light)
- 26 MOTOR SIREN

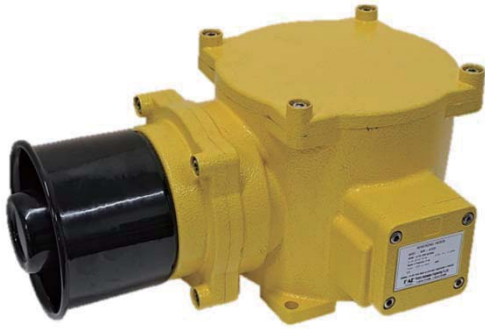
EXPLOSION-PROOF WARNING HORN/WARNING LIGHT 방폭형 경고혼/경고등





- HD200 : 내압방폭형 경고혼 (Explosion-Proof Warning Horn)
- LD250 : 내압방폭형 경고등 (Explosion-Proof Warning Light)
- HLD300 : 내압방폭형 경고혼/경고등 (Explosion-Proof Warning Horn / Light)
- SQ30-10 : 분진방폭형 경고혼 (Dust Explosion-Proof Warning Horn)
- SD30-10 : 분진방폭형 경고등 (Dust Explosion-Proof Warning Light)
- SQD30-10 : 분진방폭형 경고혼/경고등 (Dust Explosion-proof Warning Horn/Warning Light)
- SQD32-10 : 양방향 분진방폭형 경고혼/경고등 (Dust Explosion-proof Bidirectional Warning Horn/Warning Light)





WJW-HD200

특징 (Features)

- 알루미늄 하우징 제품으로 선박, 철강, 옥외플랜트 등 설치 가능.

It is an aluminum housing product that can be installed on ships, steel, and outdoor plants.

- 내부스위치 및 볼륨으로 음색, 음량 조절가능.

Tone and volume can be adjusted with internal switch and volume.

- 일체형구조로 제작된 자립형 신호음 내장제품.

Built-in self-contained signal sound with a warning light and horn integrated structure.

- 방수, 방진(IP66) 내식성 제품으로 옥외 설치가능.

It is waterproof and dustproof (IP66) corrosion-resistant and can be installed outdoors.

- 케이블 인입구 (Cable Entry) : NPT 1/2", PF 1/2"

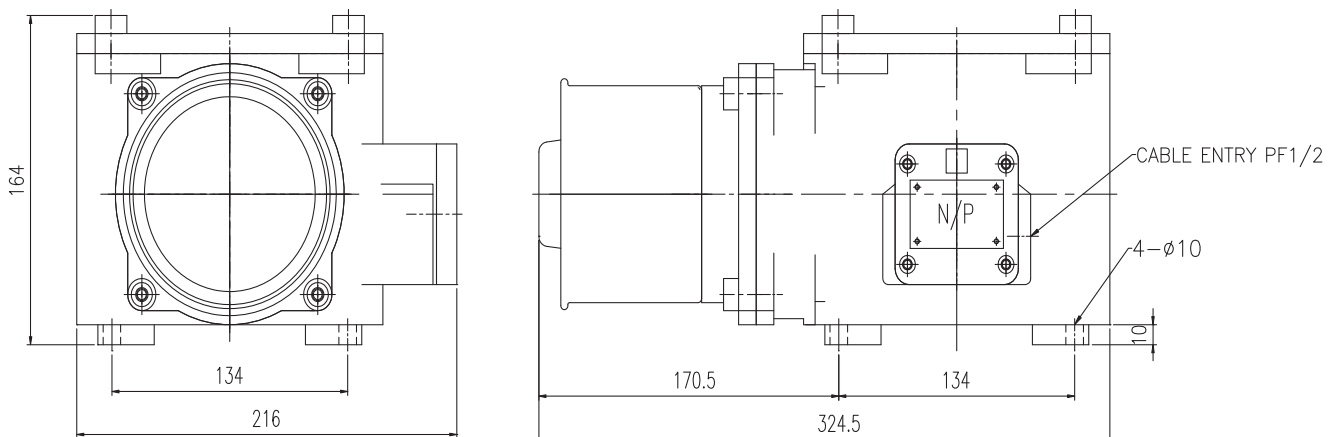
- 보호등급 (Protection Class) : IECEx - Ex db IIb+H2 T6 Gb, IP66

KTL - Ex d IIB T6, IP66

- 사용주위온도 (Ambient Temperature) : $-20^{\circ}\text{C} \leq T_{\text{amb}} \leq +60^{\circ}\text{C}$

Specification	Voltage	Electric Current	Volume	Weight	Remark
WJW-HD200	DC 24V	Max. 0.500A	118dB	DC - 6.15Kg	
	AC 110V	Max. 0.150A		AC - 6.15Kg	
	AC 220V	Max. 0.075A		AC - 6.15Kg	

외형도 (Outline Dimension)





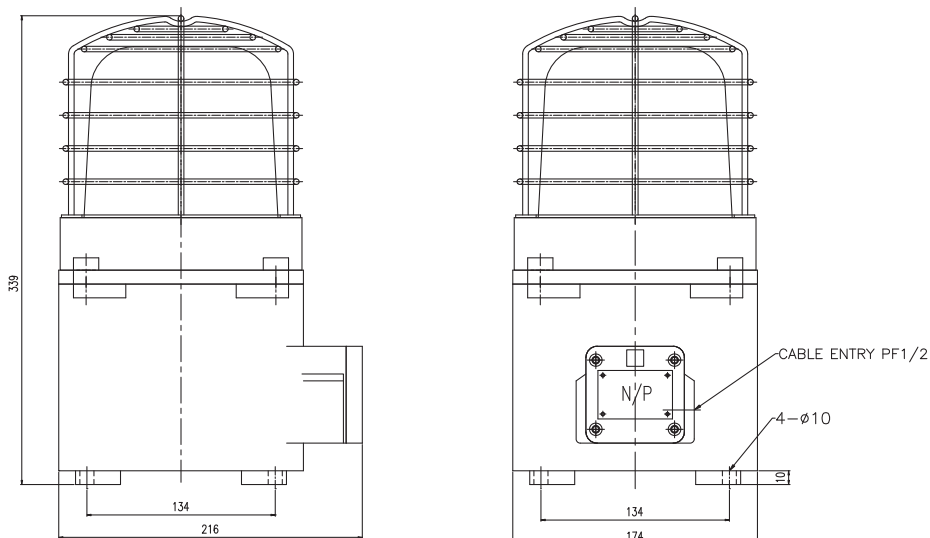
WJW-LD250

특징 (Features)

- 알루미늄 하우징 제품으로 선박,철강,육외플랜트 등 설치 가능.
It is an aluminum housing product that can be installed on ships, steel, and outdoor plants.
- 내부스위치 및 볼륨으로 음색,음량 조절가능.
Tone and volume can be adjusted with internal switch and volume.
- 일체형구조로 제작된 자립형 신호음 내장제품.
Built-in self-contained signal sound with a warning light and horn integrated structure.
- 방수,방진(IP66) 내식성 제품으로 옥외 설치가능.
It is waterproof and dustproof (IP66) corrosion-resistant and can be installed outdoors.
- 케이블 인입구 (Cable entry) : NPT 1/2", PF 1/2"
- 보호등급 (Protection class) : IECEx - Ex db IIB+H2 T6 Gb, IP66
KTL - Ex d IIB T6, IP66
- 사용주위온도 (Ambient temperature) : $-20^{\circ}\text{C} \leq T_{\text{amb}} \leq +60^{\circ}\text{C}$

Specification	Voltage	Electric Current	Weight	Remark
WJW-LD250	DC 24V	Max. 0.650A	DC - 7.15Kg	R - 적색
	AC 110V	Max. 0.200A	AC - 7.15Kg	Y - 황색
	AC 220V	Max. 0.100A	AC - 7.15Kg	G - 녹색

외형도 (Outline Dimension)





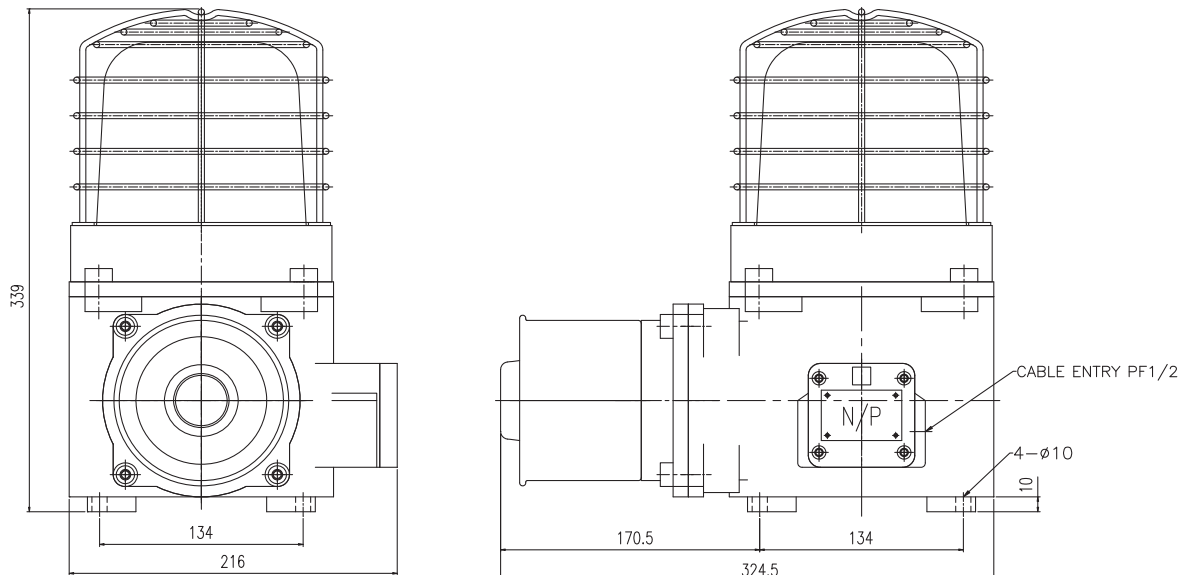
WJW-HLD300

특징 (Features)

- 알루미늄 하우징 제품으로 선박,철강,옥외플랜트 등 설치 가능.
It is an aluminum housing product that can be installed on ships, steel, and outdoor plants.
- 내부스위치 및 볼륨으로 음색,음량 조절가능.
Tone and volume can be adjusted with internal switch and volume.
- 일체형구조로 제작된 자립형 신호음 내장제품.
Built-in self-contained signal sound with a warning light and horn integrated structure.
- 방수,방진(IP66) 내식성 제품으로 옥외 설치가능.
It is waterproof and dustproof (IP66) corrosion-resistant and can be installed outdoors.
- 케이블 인입구 (Cable entry) : NPT 1/2", PF 1/2"
- 보호등급 (Protection class) : IECEx - Ex db IIB+H2 T6 Gb, IP66
KTL - Ex d IIB T6, IP66
- 사용주위온도 (Ambient temperature) : $-20^{\circ}\text{C} \leq T_{\text{amb}} \leq +60^{\circ}\text{C}$

Specification	Voltage	Electric Current	Volume	Weight	Remark
WJW-HLD300	DC 24V	Max. 1.150A	118dB	DC - 9.15Kg	R - 적색
	AC 110V	Max. 0.350A		AC - 9.15Kg	Y - 황색
	AC 220V	Max. 0.180A		AC - 9.15Kg	G - 녹색

외형도 (Outline Dimension)





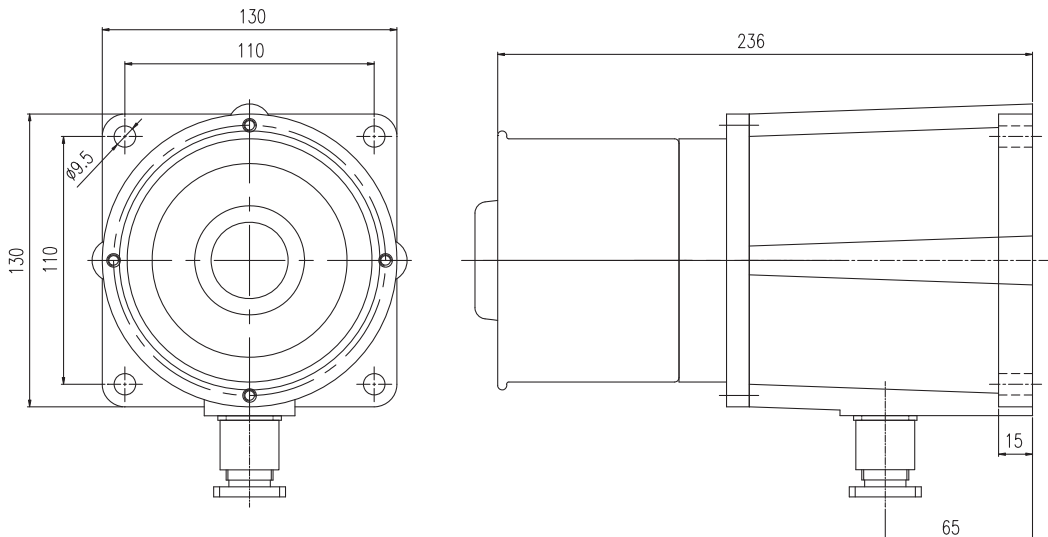
WJW-SQ30-10

특징 (Features)

- 알루미늄 하우징 제품으로 선박,철강,옥외플랜트 등 설치 가능.
It is an aluminum housing product that can be installed on ships, steel, and outdoor plants.
- 내부스위치 및 볼륨으로 음색,음량 조절가능.
Tone and volume can be adjusted with internal switch and volume.
- 일체형구조로 제작된 자립형 신호음 내장제품.
Built-in self-contained signal sound with a warning light and horn integrated structure.
- 방수,방진(IP65) 내식성 제품으로 옥외 설치가능.
It is waterproof and dustproof (IP65) corrosion-resistant and can be installed outdoors.
- 케이블 인입구 : PF 1/2"
Cable Entry : PF 1/2"
- 보호등급 (Protection Class) : KTL - Ex tD A21 IP65 T85°C

Specification	Voltage	Electric Current	Volume	Weight	Remark
WJW-SQ30-10	DC 24V	MAX. 1.222A	118dB	DC - 3.02Kg	
	AC 110V	Max. 0.286A		AC - 3.33Kg	
	AC 220V	Max. 0.078A		AC - 3.33Kg	

외형도 (Outline Dimension)





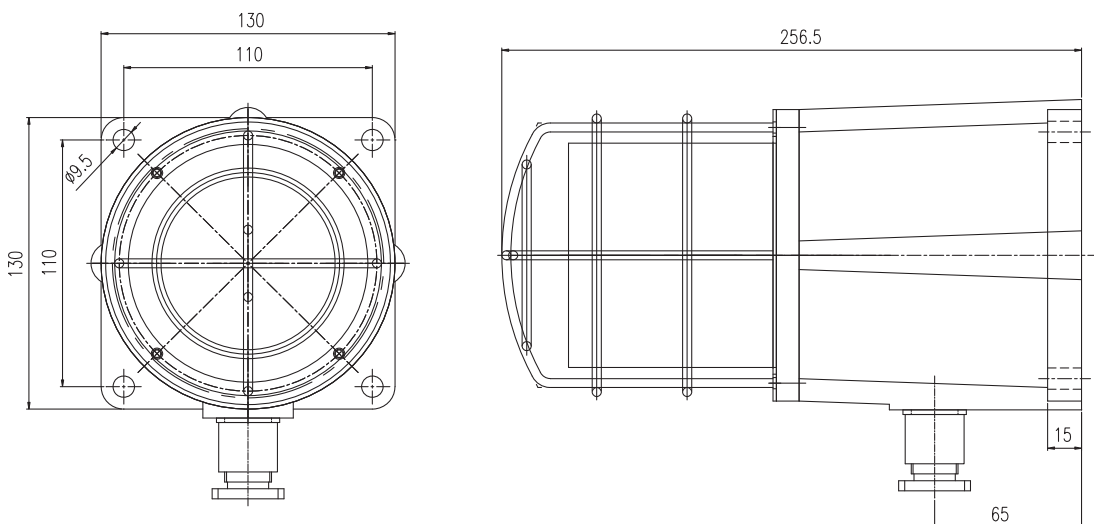
WJW-SD30-10

특징 (Features)

- 알루미늄 하우징 제품으로 선박,철강,옥외플랜트 등 설치 가능.
It is an aluminum housing product that can be installed on ships, steel, and outdoor plants.
- 내부스위치 및 볼륨으로 음색,음량 조절가능.
Tone and volume can be adjusted with internal switch and volume.
- 일체형구조로 제작된 자립형 신호음 내장제품.
Built-in self-contained signal sound with a warning light and horn integrated structure.
- 방수,방진(IP65) 내식성 제품으로 옥외 설치가능.
It is waterproof and dustproof (IP65) corrosion-resistant and can be installed outdoors.
- 케이블 인입구 : PF 1/2"
Cable Entry : PF 1/2"

Specification	Voltage	Electric Current	Weight	Remark
WJW-SD30-10	DC 24V	MAX. 1.222A	DC - 3.02Kg	R - 적색
	AC 110V	Max. 0.286A	AC - 2.36Kg	Y - 황색
	AC 220V	Max. 0.059A	AC - 2.36Kg	G - 녹색

외형도 (Outline Dimension)





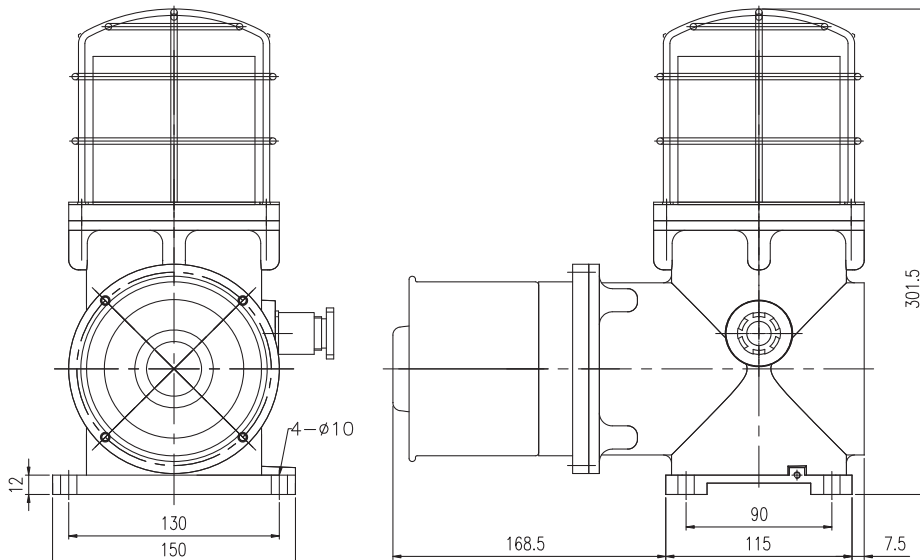
WJW-SQD30-10

특징 (Features)

- 알루미늄 하우징 제품으로 선박,철강,옥외플랜트 등 설치 가능.
It is an aluminum housing product that can be installed on ships, steel, and outdoor plants.
- 내부스위치 및 볼륨으로 음색,음량 조절가능.
Tone and volume can be adjusted with internal switch and volume.
- 일체형구조로 제작된 자립형 신호음 내장제품.
Built-in self-contained signal sound with a warning light and horn integrated structure.
- 방수,방진(IP66) 내식성 제품으로 옥외 설치가능.
It is waterproof and dustproof (IP66) corrosion-resistant and can be installed outdoors.
- 케이블 인입구 : PF 1/2"
Cable Entry : PF 1/2"
- 보호등급 (Protection Class) : KTL - Ex tD A21 IP66 T85°C

Specification	Voltage	Electric Current	Volume	Weight	Remark
WJW-SQD30-10	DC 24V	MAX. 1.222A	118dB	DC - 3.02Kg	R - 적색
	AC 110V	Max. 0.286A		AC - 4.68Kg	Y - 황색
	AC 220V	Max. 0.122A		AC - 4.68Kg	G - 녹색

외형도 (Outline Dimension)





WJW-SQD32-10

특징 (Features)

- 알루미늄 하우징 제품으로 선박,철강,옥외플랜트 등 설치 가능.
It is an aluminum housing product that can be installed on ships, steel, and outdoor plants.
- 내부스위치 및 볼륨으로 음색,음량 조절가능.
Tone and volume can be adjusted with internal switch and volume.
- 일체형구조로 제작된 자립형 신호음 내장제품.
Built-in self-contained signal sound with a warning light and horn integrated structure.
- 방수,방진(IP66) 내식성 제품으로 옥외 설치가능.
It is waterproof and dustproof (IP66) corrosion-resistant and can be installed outdoors.
- 케이블 인입구 : PF 1/2"
Cable Entry : PF 1/2"
- 보호등급 (Protection Class) : KTL - Ex tD A21 IP66 T85°C

Specification	Voltage	Electric Current	Volume	Weight	Remark
WJW-SQD32-10	DC 24V	MAX. 1.222A	118dB	DC - 3.02Kg	R - 적색
	AC 110V	Max. 0.286A		AC - 6.88Kg	Y - 황색
	AC 220V	Max. 0.153A		AC - 6.88Kg	G - 녹색

외형도 (Outline Dimension)

