

# LIMIT SWITCH

## Weight Type(WJL -G)



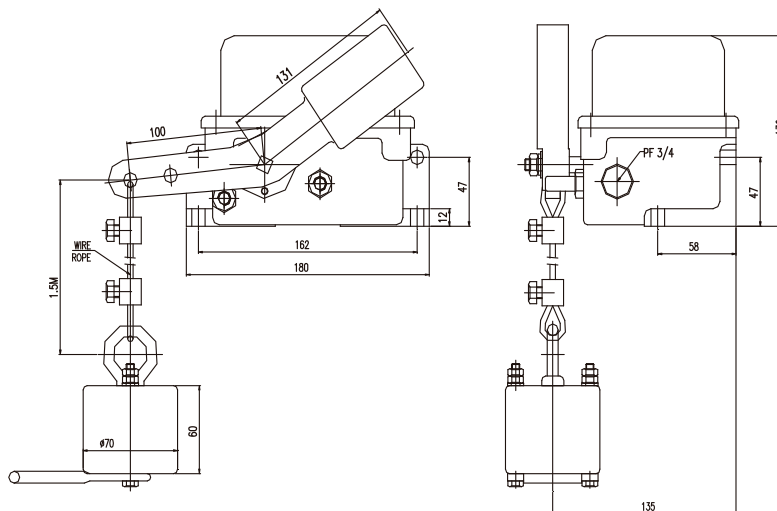
### ◆ 개요 및 특징(Introduction & Feature)

- Limit Switch에 매단 추에 의해 작동되는 권상기구의 상한제어용 장치입니다.  
This is a hoist device, suspended from limit switch.

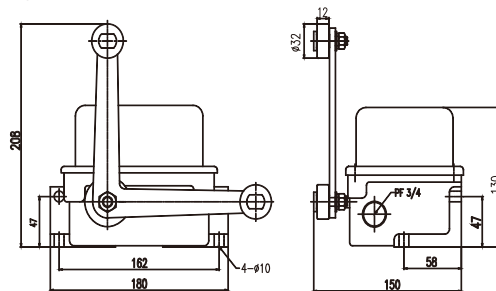
### ◆ 표준사양(Standard Specification)

- Usage : Over Running Prevention
- Point of Contact : 2C/O (2A2B)
- Voltage : 250VAC, 10A / 14VDC, 15A
- Painting Color : Hamaton IPH Yellow

### ◆ 외형도(Outline Dimension)



## Weight Type(WJL -LA)



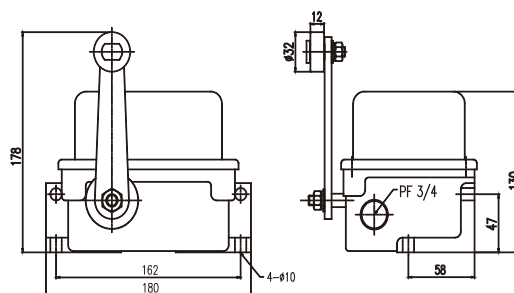
### ◆ 개요 및 특징(Introduction & Feature)

- 수동복귀형  
Manual Return Type
- Lever 작동시 Inter lock에 의해 작동위치에 Holding되는 장치입니다.  
This is a device that lever is held on at operating position by interlock function.

### ◆ 표준사양(Standard Specification)

- Usage : Limited to traversable motion
- Point of Contact : 2C/O (2A2B)
- Voltage : 250VAC, 10A / 14VDC, 15A
- Painting Color : Hamaton IPH Yellow

## Lever Type(WJL -LB)



### ◆ 개요 및 특징(Introduction & Feature)

- 자동복귀형  
Auto-Return Type
- Lever 작동시 Return Spring에 의해 작동되는 장치입니다.  
This is a device that lever is automatically started by return spring.

### ◆ 표준사양(Standard Specification)

- Usage : Limited to traversable motion.
- Point of Contact : 2C/O (2A2B)
- Voltage : 250VAC, 10A / 14VDC, 15A
- Painting Color : Hamaton IPH Yellow