

MAGNET SWITCH

◆ 제품설명(Product Selection)

- 사양 : WJ-MS10-1819P Two Position
- WJ-MS10-1819A Automatic Reset



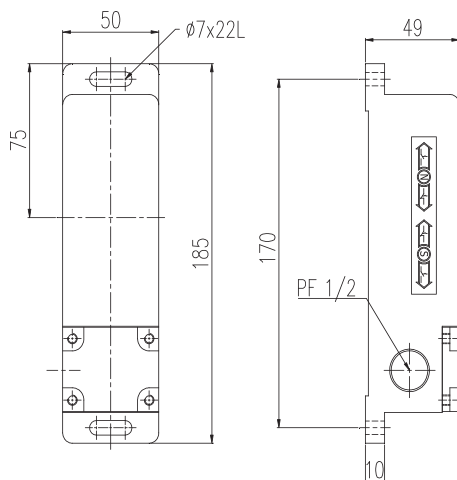
◆ 제품 사양 MODEL(Product Specification)

사용전압 (Voltage)	Max. 250V AC/DC 3A
사용전류 (Current)	Max. 3A
용량 (Capacity)	Max. 120VA / W
주파수 (Frequency)	< 300Hz
사용온도 (Temperature)	-20°C ~ +70°C
정상작동거리(Normal Distance)	60mm
기계적 수명 (Mechanical Life)	10,000,000Time
전기적 수명 (Electrical Life)	1,000,000Time
색상 (color)	Gold color

◆ 적용(Application)

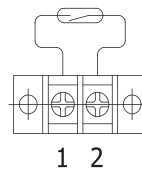
- CGL LOOPER, 이동대차, 크레인
- CGL LOOPER, TRANSFER CAR, CRANE

◆ 외형도(Outline Dimension)



◆ 결선도(Connection)

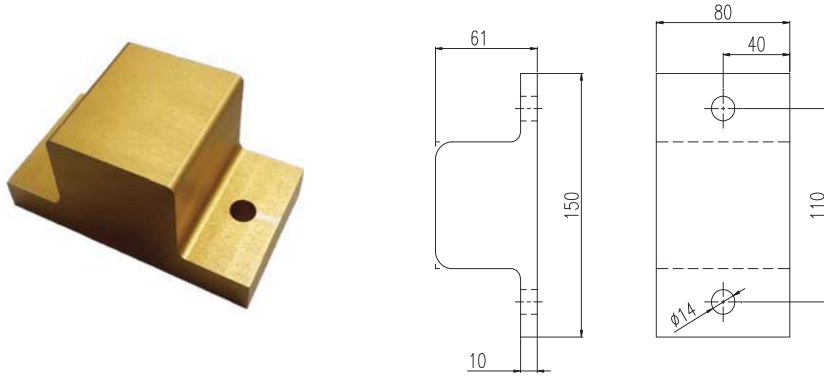
A CONTACT



MAGNET SWITCH

MAGNET

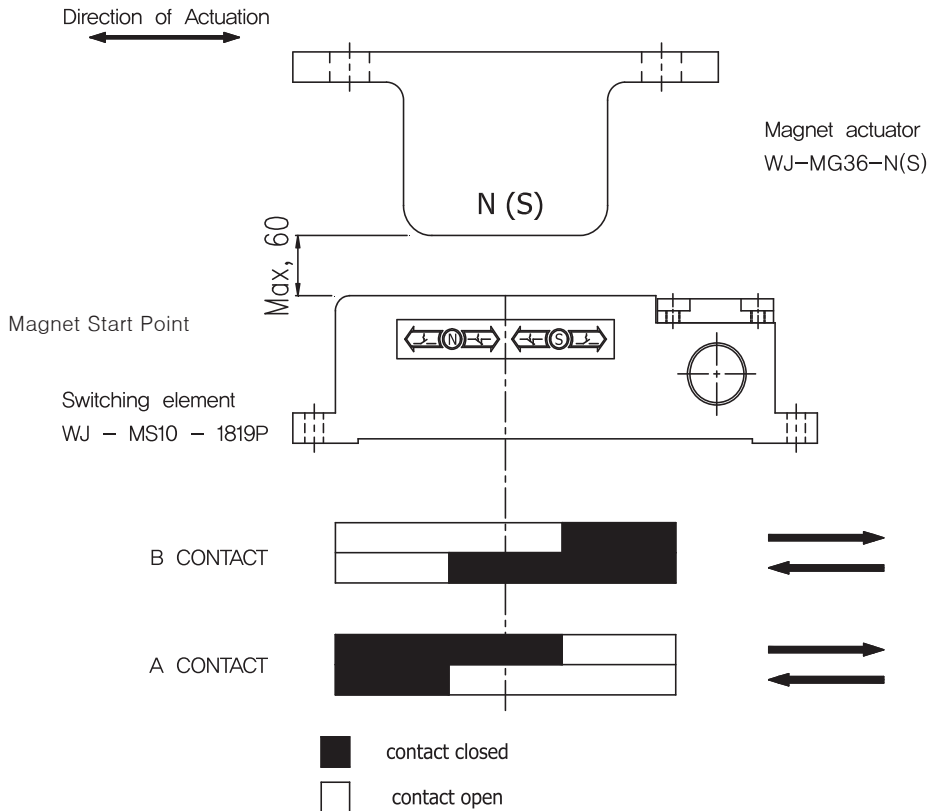
◆ 외형도(Outline Dimension)



- 사양(Specification) : WJ-MG36-N (A접점 _ GOLD COLOR)
WJ-MG36-S (B접점 _ WHITE COLOR)
- 검출거리(Detection distance) : 60mm
- 사용온도(Temperature) : -20°C~+70°C
- 재 질(Material) : AL

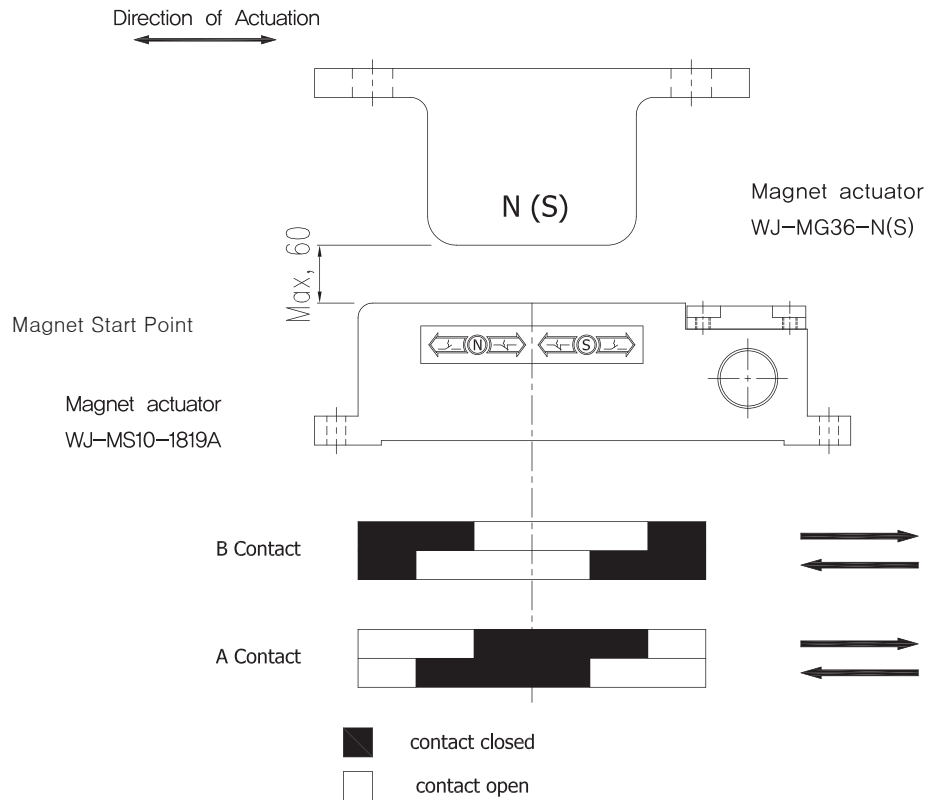
◆ SWITCH 동작예(Switch Movements)

- P-Type 동작원리(P-Type Actuation Principle)

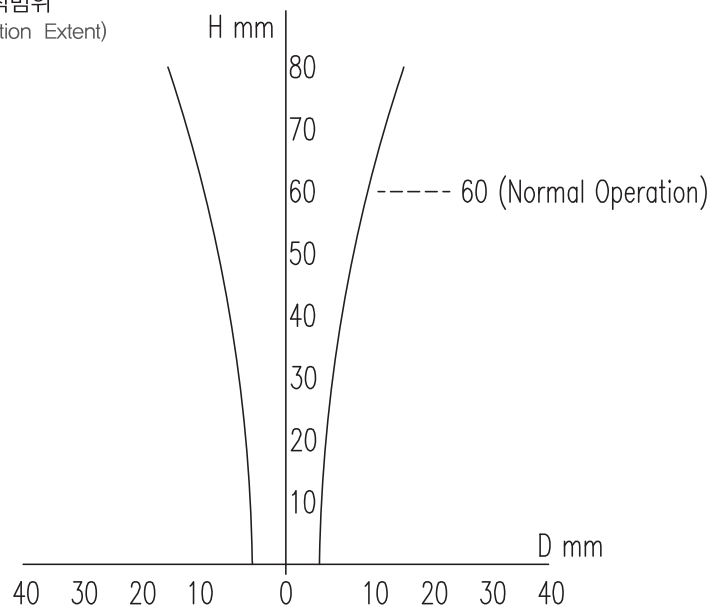


◆ SWITCH 동작예(Switch Movements)

- A-Type 동작원리(A-Type Actuation Principle)



- P-Type 동작범위 (P-Type Action Extent)



MAGNET SWITCH

MAGNET SWITCH

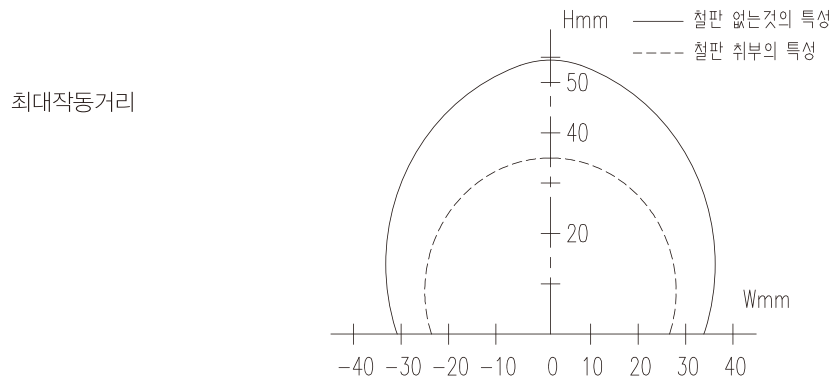
◆ 제품설명(Product Explanation)

- 사양 : WJ-MS4-H (Automatic Reset)
(Specification : WJ-MS4-H (Automatic Reset))



◆ 제품 사양(Product Specification)

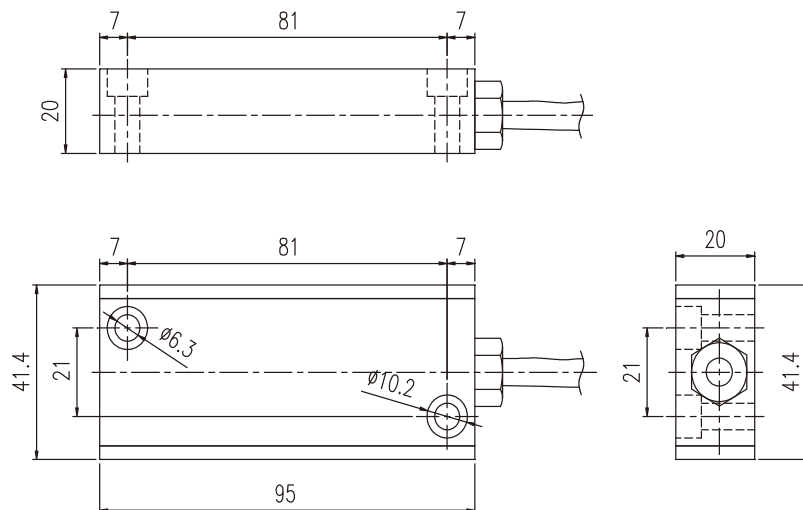
사용전압 (Voltage)	240VAC 1A, 110VAC 0.5A
사용전류 (Current)	Max. 1.5A
용량 (Capacity)	Max. 120VA / W
주파수 (Frequency)	< 300Hz
사용온도 (Temperature)	-20°C ~ +180°C
최대작동 거리 (Maximum distance)	35mm (Max. 55mm)
기계적 수명 (Mechanical Life)	10,000,000 Time
전기적 수명 (Electrical Life)	1,000,000 Time



◆ 적 용(Application)

- 코크스, 소결, 고로, 제강, 연주, 열연, 냉연, Conveyor등에 사용
(Coke, Sinter, Steelmaking, Performance, Cold mill, Hot-rolled, To Conveyor use.)

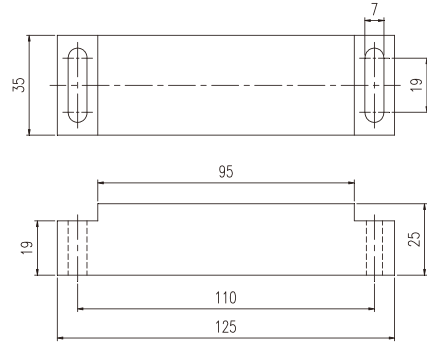
◆ 외형도(Outline Dimension)



MAGNET

◆ 외형도(Outline Dimension)

- 사양 : WJ-MG4-H
(Specification : WJ-MG4-H)



- 검출거리(Detection distance) : 55mm
- 사용온도(Temperature) : -20°C ~ +180°C
- 재 질(Material) : AL

◆ SWITCH 동작예(Switch Movements)

(Direction of actuation)

