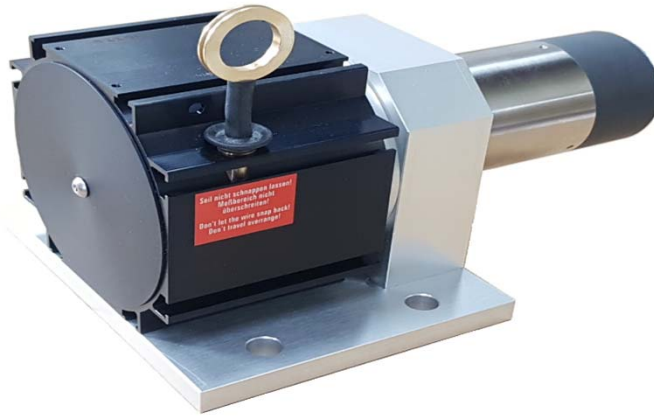


WIRE RUNNER



특징 Feature

- ▶ 최장 30M 까지 검출할 수 있습니다.
→ Detection distance of up to 30m
- ▶ 와이어 선단을 이동체에 거는 것만으로 간단하게 위치검출할 수 있습니다.
→ Simply hook the end of the wire on the moving body for easy position detection.
- ▶ 와이어 고정으로 진동,충격이 크더라도 센서부분이 손상될 걱정은 없습니다.
→ The sensor is impervious to vibration and impacts.

주요 특성 Specification

Item	Specifications			
Wire runner type	WJE-WR-5	WJE-WR-10	WJE-WR-15	WJE-WR-30
Winding unit material	Aluminum			
Built-in sensor type	MRE-32SP061		MRE-G64SP061	
Detection length	0~5m	0~10m	0~15m	0~30m
Resolution	VS-10GH사용 : 0.079mm (4096/회전)		0.1538mm (2048/회전)	0.2441mm (2048/회전)
Linearity error [Max.]	±0.02 %	±0.01 %	±0.01 %	±0.01 %
Reproducibility	±0.5 mm			
Wire gauge	1.0 mm	1.0 mm	1.0 mm	0.8 mm
Wire tension	4.0~16N(0.4~1.6Kgf)	5.5~21N(0.5~2.1Kgf)	5~25N(0.5~2.5Kgf)	12~22N(1.2~2.2Kgf)
Winding acceleration	50 m/s ²	30 m/s ²	30 m/s ²	20 m/s ²
Maximum usage rate	0.5 m/s			
Lifetime of winding springs	100만회	100만회	100만회	100만회
Ambient temperature	-20 ~ +80°C			
Protection structure (sensor body)	IP65			

형 식 Model

WJE-WR-[①]-[②]

- [①] : 검출 거리 Detection Distance
5: 5m , 10: 10m, 15: 15m 30: 30m
- [②] : 센서 케이블 단말처리 Connection type of sensor cable
B : 표준컨넥터 Standard connector (NJW-2012PM8)
R : 압착단자 Crimping terminals

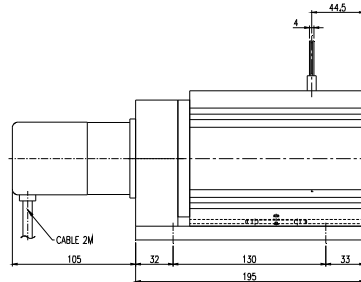
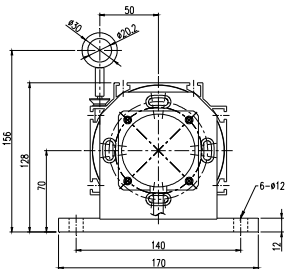
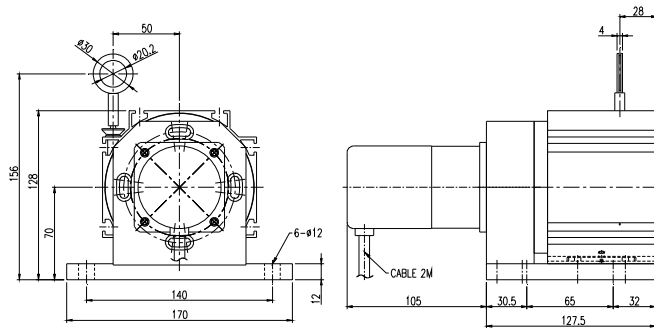


VARILIMIT Specifications

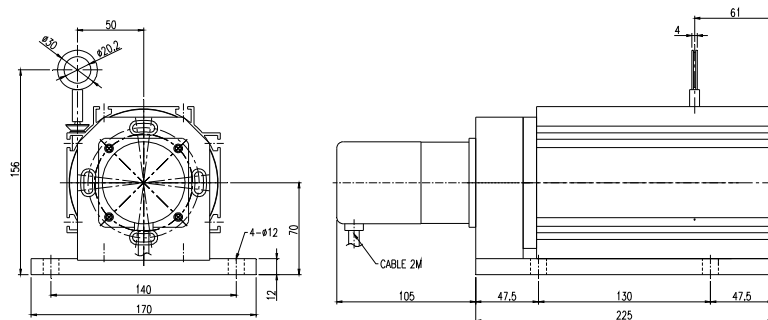
Item	Specifications	
Model	VS-10GH-D-1-M2R	VS-10GH-C-1-M2R
Power	DC 24V	
Power Consumption	Less than 10w	
Ambient Temperature	0 ~ 55°C	
grounding	Class 3 ground	
Output Specification	Switch output : 30, BCD	Switch output : 30, DC4~20mA

외형도 External Dimension

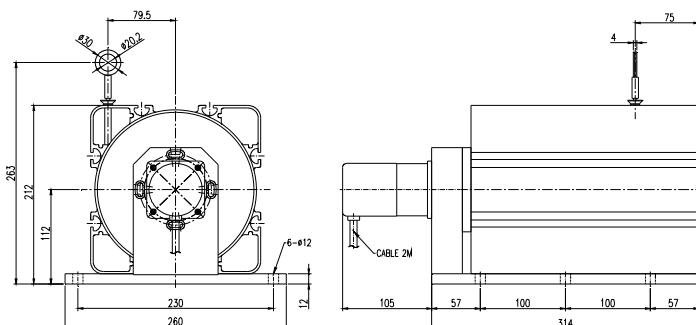
WJE-WR-5



WJE-WR-10



WJE-WR-15



WJE-WR-30