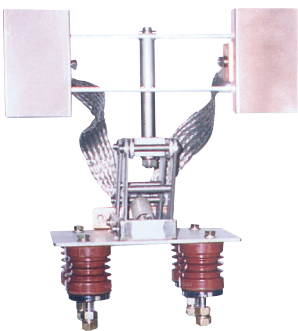
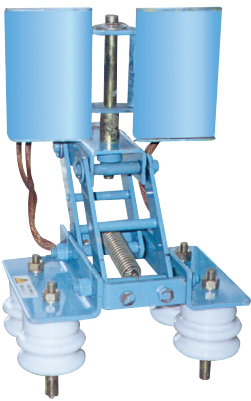
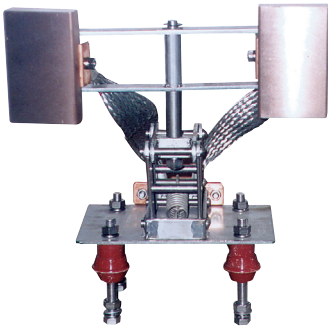


P

ANTAGRAPH



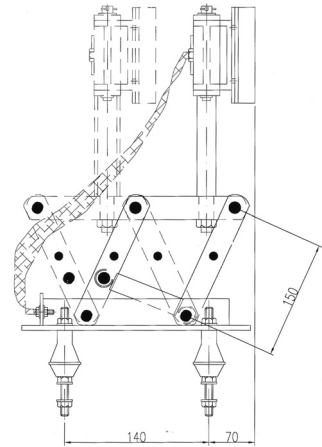
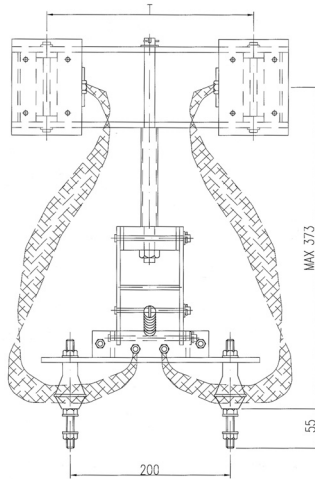
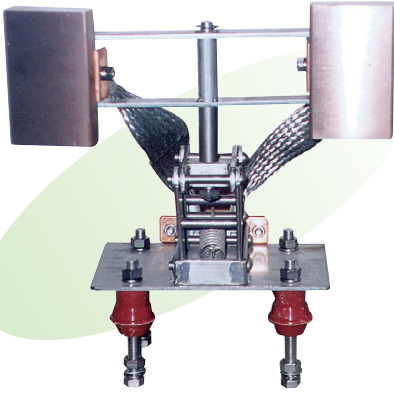
Pantagraph

■ 적용

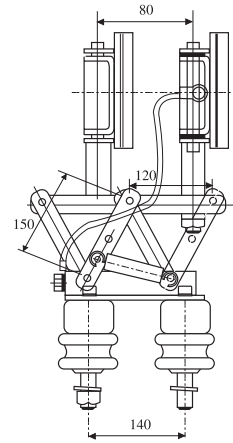
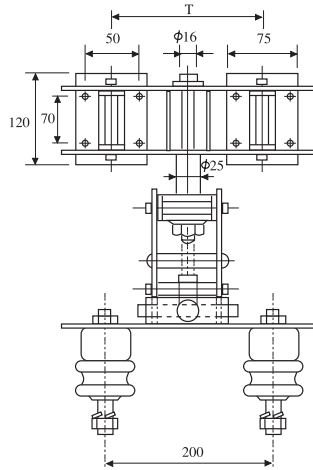
- 대형 OVER HEAD CRANE 전원장치
- 이동대차 전원장치
- HOIST 전원장치

■ 특이사항

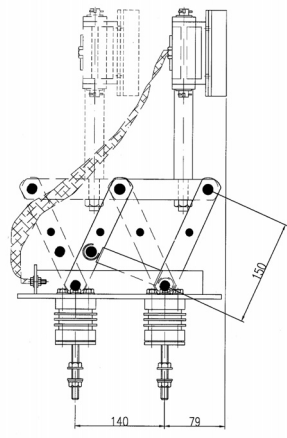
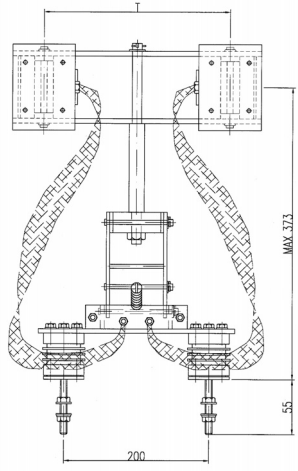
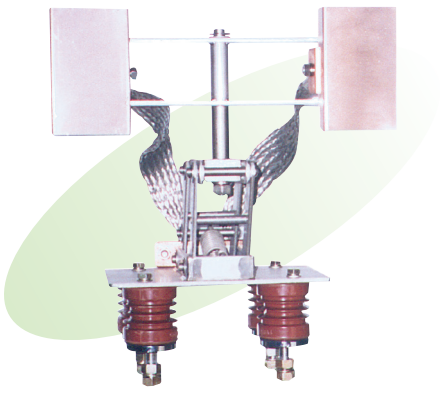
카다로그 제품은 표준품으로 주문제작도 가능하므로 당사로 연락주시어 상담하세요.



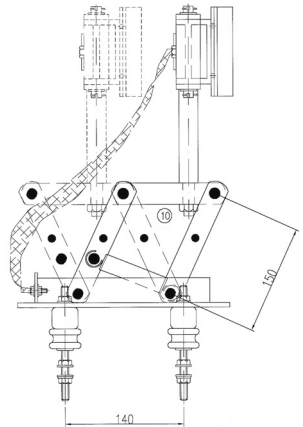
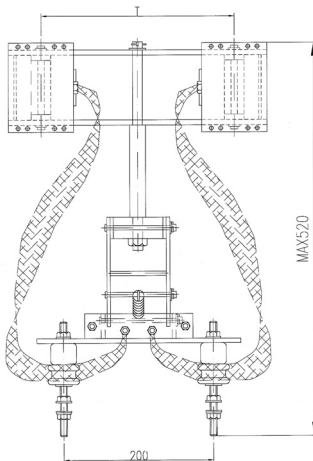
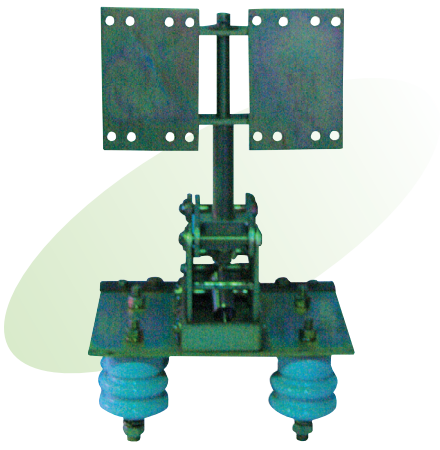
| MODEL | 전류용량 | BRUSH | | “ T ”간 거리(mm) | 중량(kg) |
|---------|-------|---------------|----------------|------------------|--------|
| | | 재 질 | SIZE(mm) | | |
| WJP-110 | 600A | Copper Carbon | 120 × 75 × 25 | 250 | 13 |
| WJP-111 | 1200A | Copper Carbon | 160 × 100 × 30 | 350 | 15 |
| WJP-112 | 1600A | Copper Carbon | 180 × 100 × 30 | 350 | 16.7 |
| WJP-113 | 2000A | Copper Carbon | 200 × 100 × 30 | 350 | 18 |



| MODEL | 전류용량 | BRUSH | | “ T ”간 거리(mm) | 중량(kg) |
|---------|-------|---------------|----------------|------------------|--------|
| | | 재 질 | SIZE(mm) | | |
| WJP-116 | 600A | Copper Carbon | 120 × 75 × 25 | 150 | 12 |
| WJP-117 | 1200A | Copper Carbon | 160 × 100 × 30 | 250 | 14.5 |

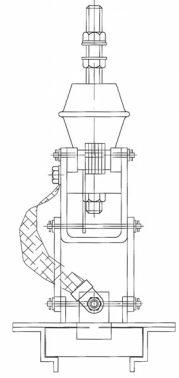
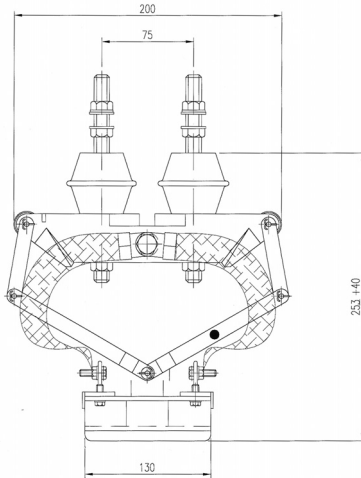
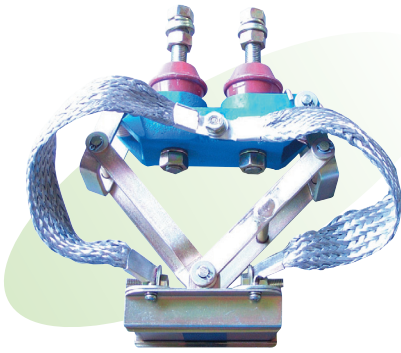


| MODEL | 전류용량 | BRUSH | | “T”간 거리(mm) | 중량(kg) |
|---------|-------|------------------|------------|----------------|--------|
| | | 재 질 | SIZE(mm) | | |
| WJP-121 | 600A | Copper Carbon+흑연 | 120×75×25 | 250 | 17 |
| WJP-122 | 1200A | Copper Carbon+흑연 | 160×100×30 | 350 | 19 |
| WJP-123 | 2000A | Copper Carbon+흑연 | 180×100×30 | 350 | 21.6 |

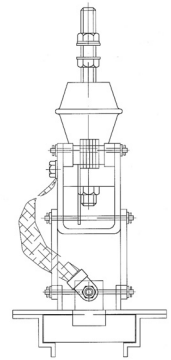
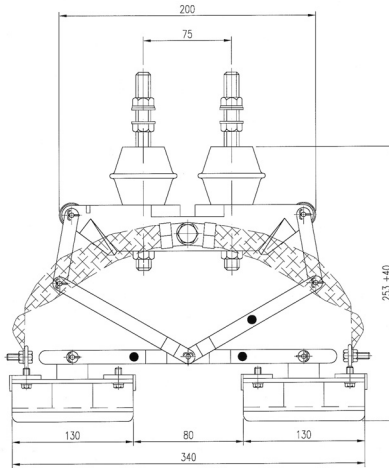
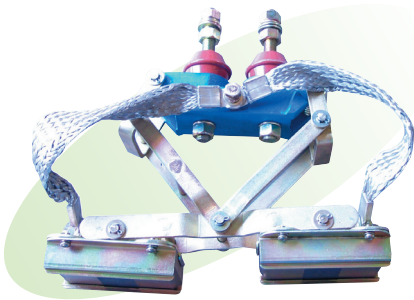


| MODEL | 전류용량 | BRUSH | | “T”간 거리(mm) | 중량(kg) |
|---------|-------|------------------|------------|----------------|--------|
| | | 재 질 | SIZE(mm) | | |
| WJP-126 | 1200A | Copper Carbon+흑연 | 150×110×15 | 150 | 13 |

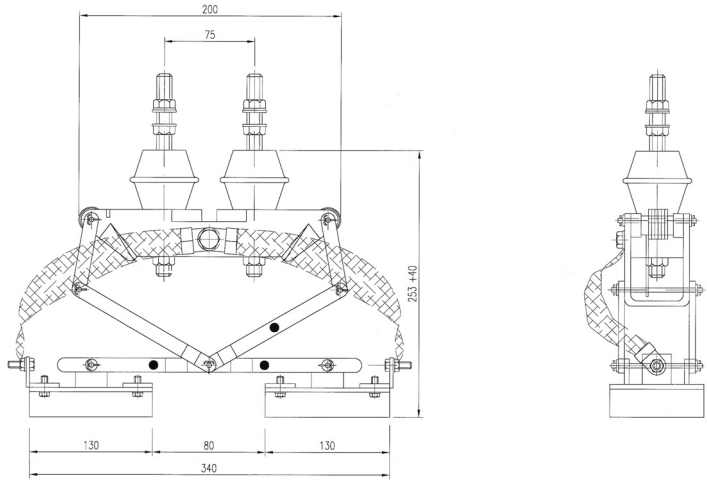
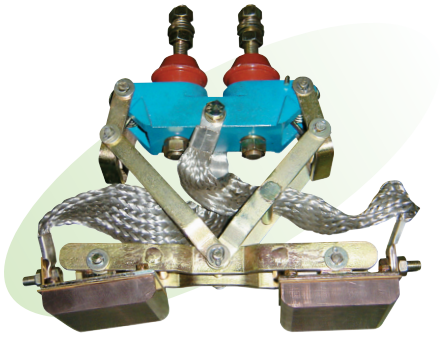




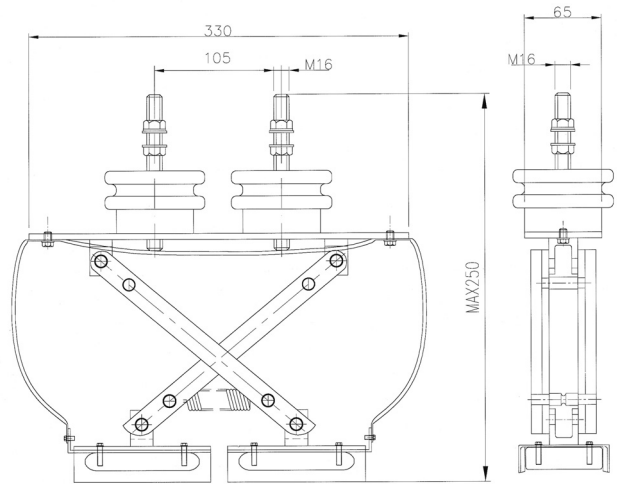
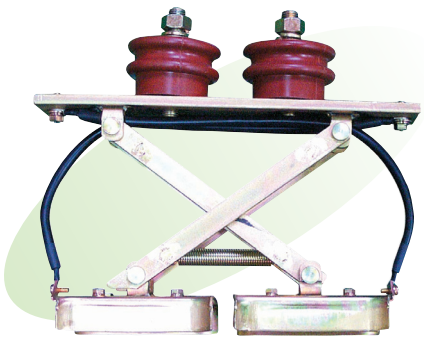
| MODEL | 전류용량 | BRUSH | | TYPE | 중량(kg) |
|---------|------|------------------|-----------|--------|--------|
| | | 재 질 | SIZE(mm) | | |
| WJP-131 | 300A | Copper Carbon+흑연 | 130×85×25 | SINGLE | 7 |



| MODEL | 전류용량 | BRUSH | | TYPE | 중량(kg) |
|---------|------|------------------|-----------|--------|--------|
| | | 재 질 | SIZE(mm) | | |
| WJP-132 | 600A | Copper Carbon+흑연 | 130×85×25 | DOUBLE | 10 |



| MODEL | 전류용량 | BRUSH | | TYPE | 중량(kg) |
|---------|------|---------------|------------|--------|--------|
| | | 재 질 | SIZE(mm) | | |
| WJP-136 | 200A | Copper Carbon | 100×100×22 | DOUBLE | 6 |



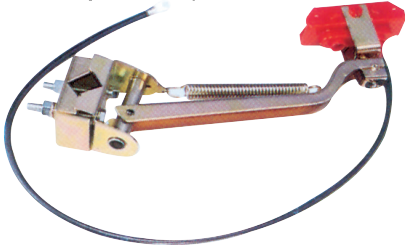
| MODEL | 전류용량 | BRUSH | | TYPE | 중량(kg) |
|---------|------|---------------|----------|--------|--------|
| | | 재 질 | SIZE(mm) | | |
| WJP-137 | 400A | Copper Carbon | 95×75×15 | DOUBLE | 9 |



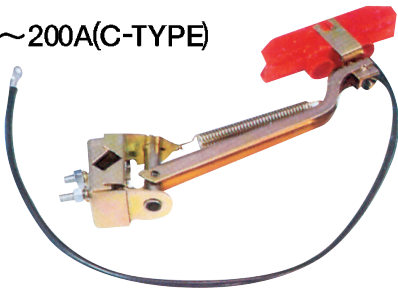


COLLECTOR & SHOE

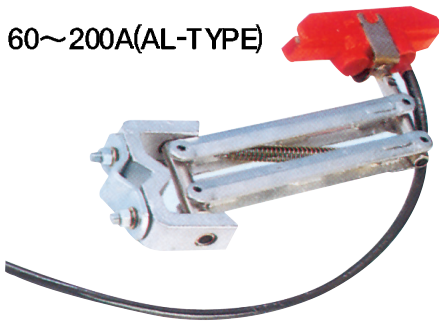
- 30~90A(H-TYPE)



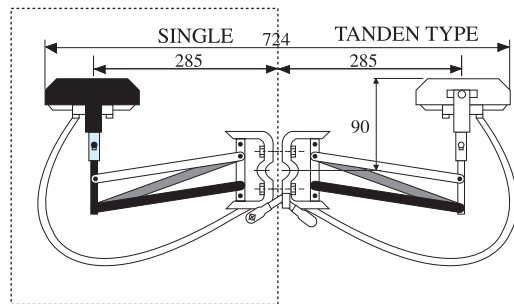
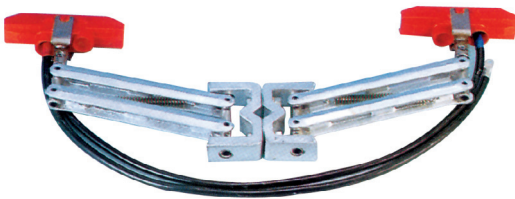
- 60~200A(C-TYPE)



- 60~200A(AL-TYPE)



- 200A Tanden TYPE



| TYPE | Current rating | WEIGHT (g) | RADIUS OF ROTATION |
|-----------|----------------|------------|--------------------|
| WJC-101H | 30A | 650 | 500mm |
| WJC-102H | 60A | 670 | 1250mm |
| WJC-103H | 100A | 700 | 1500mm |
| WJC-201C | 30A | 1350 | 1250mm |
| WJC-202C | 60A | 1370 | 1500mm |
| WJC-203C | 100A | 1450 | 2000mm |
| WJC-301AL | 30A | 1350 | 1250mm |
| WJC-302AL | 60A | 1370 | 1500mm |
| WJC-303AL | 100A | 1450 | 2000mm |
| WJC-304AL | 150A | 1600 | 2000mm |
| WJC-305AL | 200A | 1700 | 2000mm |
| WJC-401T | 60A(30A×2) | 2700 | 1250mm |
| WJC-402T | 120A(60A×2) | 2740 | 1500mm |
| WJC-403T | 200A(100A×2) | 2900 | 2000mm |
| WJC-404T | 300A(150A×2) | 3200 | 2000mm |
| WJC-405T | 400A(200A×2) | 3400 | 2000mm |



- H-30A



- C-60A



- H-60A



- C-90A

- C-200A



| Operational current rating | Material | MODEL |
|----------------------------|-------------------------------|----------|
| H 30A | Metallic carbon(copper based) | WJC-S101 |
| H 60A | " | WJC-S102 |
| H100A | " | WJC-S103 |
| C 30A | " | WJC-S104 |
| C 60A | " | WJC-S105 |
| C100A | " | WJC-S106 |
| C150A | " | WJC-S107 |
| C200A | " | WJC-S108 |